

# 6NNT



**Euromacchine**  
PUMPING INNOVATION

**\*NOW STOCKED IN CD4MCu**

### MOUNTING CONFIGURATIONS

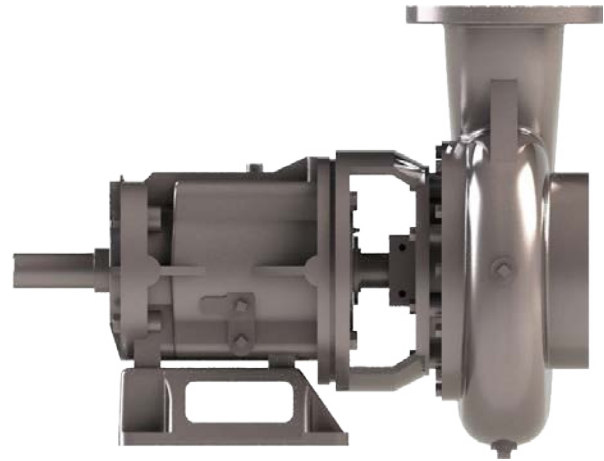
- 6NNT-RP-F Redi-Prime® Frame Mount
- 6NNT-RP-EM Redi-Prime® Engine Mount
- 6NNT-F Frame Mount
- 6NNT-EM Engine Mount
- 6NNT-CC Close-Coupled Mount
- 6NNT-VM Vertical Mount
- 6NNT-VF Vertical Frame Mount

### STOCK MATERIALS

All Iron, CD4MCu

### OPERATING LEVELS

<b>MAX FLOW:</b>	2750 GPM	173.5 L/S
<b>DISCHARGE SIZE:</b>	6"	15 cm
<b>SUCTION SIZE:</b>	6"	15 cm
<b>SOLIDS HANDLING:</b>	3"	7.6 cm
<b>MAX SPEED:</b>	2100 RPM	2100 RPM
<b>MAX HEAD:</b>	150'	46 m



A typical picture of the pump is shown. Please contact Cornell Pump Company for further details. All information is approximate and for general guidance only.

Pump designed with Cornell's renowned quality and durability. Features a 6" discharge and a 6" suction, with an enclosed two vane impeller design that handles up to a 3" solid. Available in all iron and CD4MCu materials. Cd4MCu usable in pH's of 2 to 13.5, with Brinell hardness of up to 285. Cornell's patented Cycloseal® design is standard, with a John Crane T-2 single mechanical seal with Viton® elastomers, with stainless steel hardware and tungsten carbide vs. silicon carbide seal faces for abrasion resistance. Bearings are heavy-duty, grease lubricated, deep ball bearings with a minimum of 50,000 hours bearing life.

PARTS	STANDARD MATERIAL (ALL IRON)	CD4MCU
<b>WEAR RINGS</b>	CAST IRON ASTM A48 Class 30	2205 Duplex SS FF ASTM A890
<b>IMPELLER</b>	CAST IRON ASTM A48 Class 30	CD4MCu Cast Stainless ASTM A890 Grade 1A
<b>VOLUTE</b>	CAST IRON ASTM A48 Class 30	CD4MCu Cast Stainless ASTM A890 Grade 1A
<b>SHAFT</b>	1144 Stress Proof Steel	17-4PH Stainless Steel FH -H1075
<b>SHAFT SLEEVE</b>	416 Stainless Steel	316 Stainless Steel

- Superior lift capability
- Excellent NPSHr
- High-efficiency design
- Variable speed
- 24-hour run time
- Cycloseal® design mechanical seal
- Heavy-duty construction
- RunDry™ option (Indefinite run dry capability)
- Unmanned operations
- Redi-Prime® fully automatic self-priming, dry-priming available
- 150 lb. flange on CD4MCu; 125 lb. flange on all iron pump



AGRICULTURE



FOOD



INDUSTRIAL



MINING



MUNICIPAL



OIL & GAS



REFRIGERATION



RENTAL

A typical picture of the pump is shown. Please contact Cornell Pump Company for further details. All information is approximate and for general guidance only.

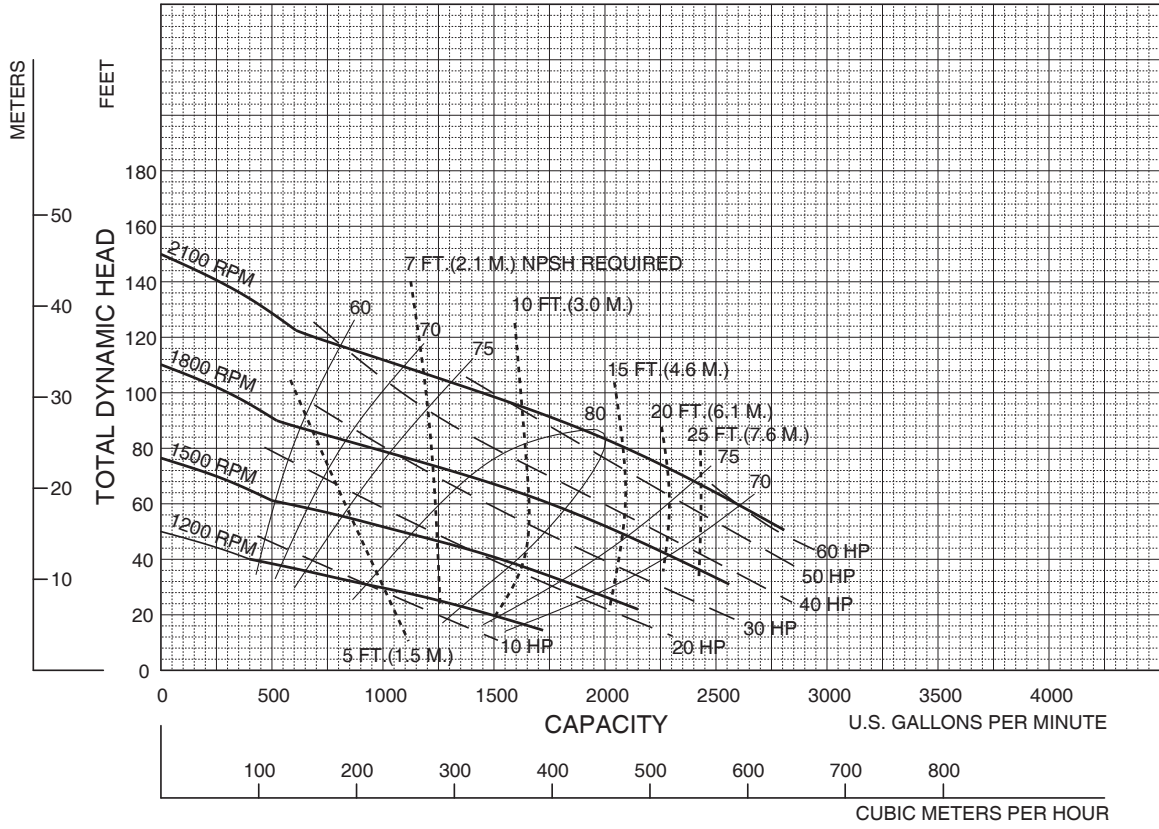
# 6NNT



Feet x .305 = Meters  
 Inches x 25.4 = Millimeters  
 GPM x .227 = Cubic Meters/Hour  
 GPM x 3.785 = Liters/Minute  
 HP x .746 = KW

Speed	Impeller Dia.	Style	Solids Dia.	N <sub>S</sub>	Suction	Discharge	No. vanes
VARIOUS	10.09"	ENCLOSED	3.0"	3300	6"	6"	2

SINGLE VOLUTE MOUNTING CONFIG.: CC, VM, F, VF, EM, VC



Performances shown are for cool water, close-coupled electric configuration with Cyclo seal. Performance may vary for other applications, horsepower and/or performance adjustments.

NEW PAGE

6NNTVA

1/15/00



Cornell Pump Company • Portland, Oregon

6NNT - VARIOUS RPM